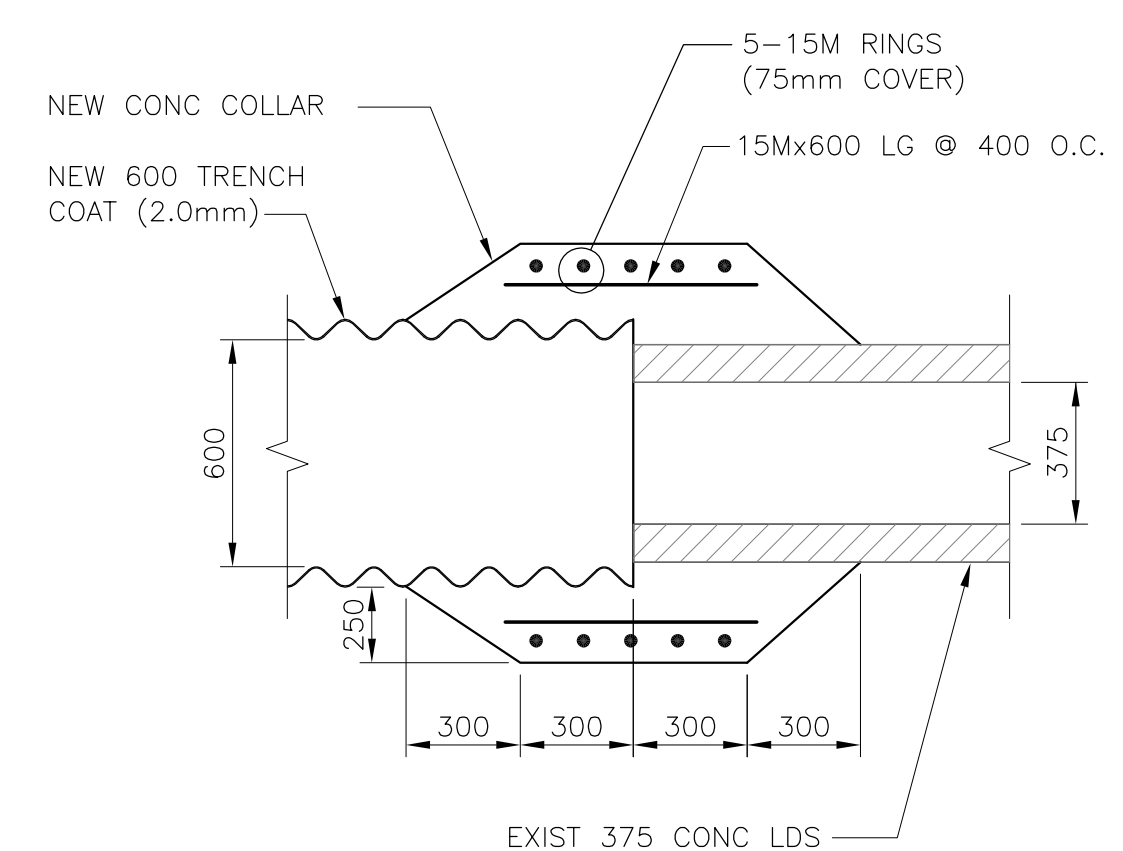
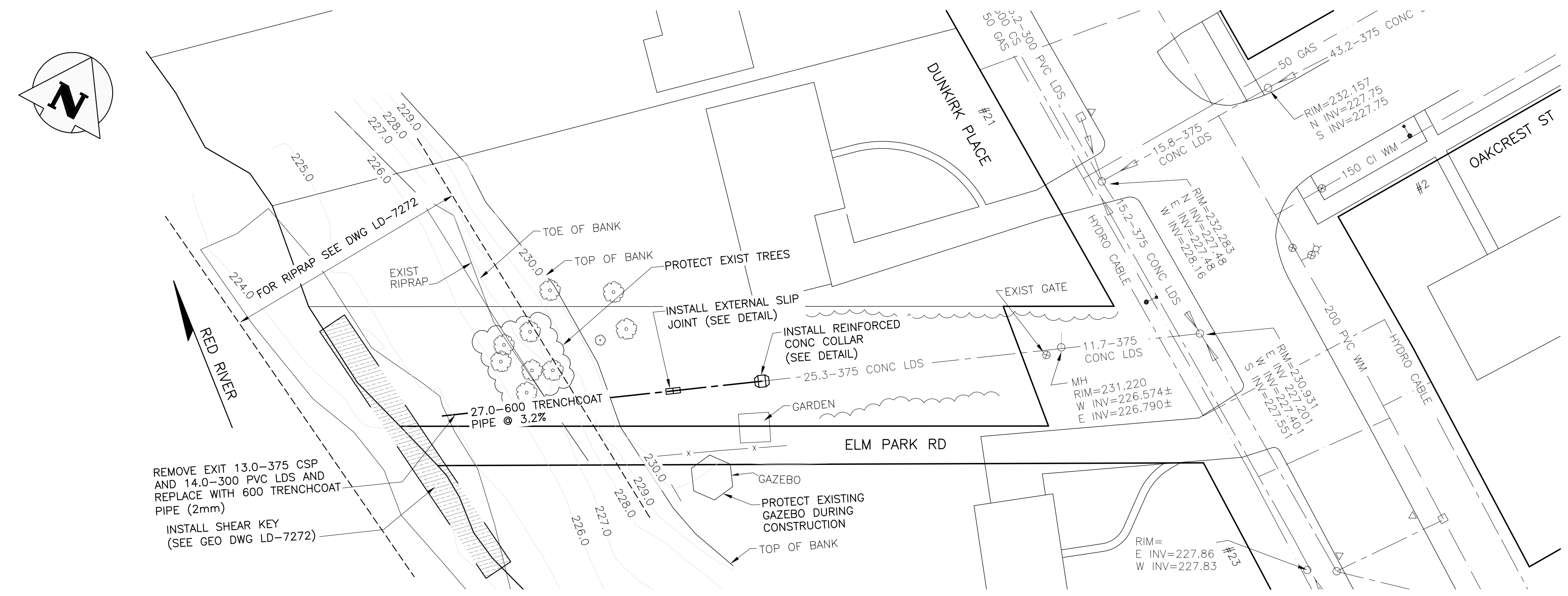


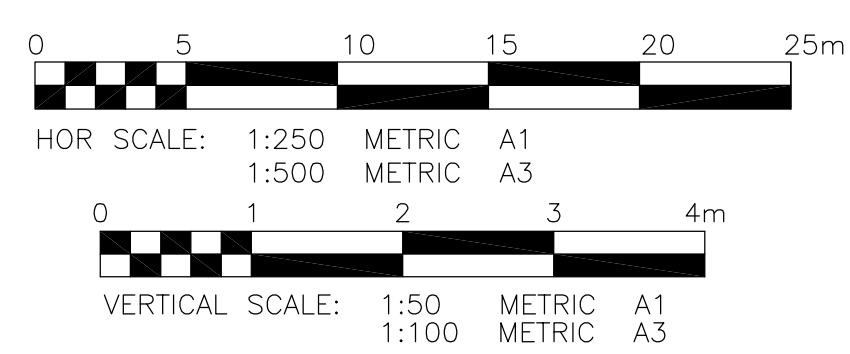
EXTERIOR SLIP JOINT DETAIL  
SCALE: NTS



REINFORCED CONCRETE COLLAR DETAIL  
SCALE: NTS



- NOTE:
- ALL EXCAVATED MATERIAL TO BE REMOVED FROM SITE. NO STOCK PILING MATERIAL.
  - RIPRAP ABOVE U.W.R.L. (EL. 222.0) TO BE SUBCUT INTO THE RIVERBANK AND PLACE FLUSH WITH ORIGINAL GROUND
  - REMOVE EXIST RIPRAP IN LOCATION OF SHEAR KEY EXCAVATION, STOCKPILE ALONG DOWNSTREAM TOE (BELOW THE U.W.R.L.) AND REINSTALL FOLLOWING CONSTRUCTION OF SHEAR KEYS. (STOCKPILE LOCATION TO BE APPROVED BY THE CONTRACT ADMINISTRATOR).
  - USE STEEL TRENCH BOXES TO PROTECT TREES AND EXIST INFRASTRUCTURE DURING PIPE REPLACEMENT.



**PROPERTY LIMITS DELINEATION**  
DELINEATION OF PROPERTY LIMITS AS SHOWN ON THIS DWG DOES NOT REPRESENT A "LEGAL SURVEY". KGS GROUP MAKES NO REPRESENTATION OR WARRANTY AS TO THE ACCURACY OF PROPERTY LIMITS DELINEATED ON THIS DWG, NOR ON THE DIMENSIONAL ACCURACY OF DWG FEATURES RELATIVE TO THOSE PROPERTY LIMITS.

**METRIC**  
WHOLE NUMBERS INDICATE MILLIMETRES  
DECIMALIZED NUMBERS INDICATE METRES

**APEGM**  
Certificate of Authorization  
KGS Group  
No. 245

EXISTING	LEGEND-PLAN	PROPOSED	EXISTING	LEGEND-PLAN	PROPOSED	EXISTING	LEGEND-PROFILE	PROPOSED
300 LDS	LAND DRAINAGE SEWER	300 LDS	⊕	TEST HOLE	⊕	⊕	⊕	⊕
250 WWS	WASTE WATER SEWER	250 WWS	—	GUY WIRE	—	—	—	—
—	GAS	—	—	LIGHT STANDARD	—	—	—	—
—	HYDRO	—	—	BACK OF CURB	—	—	—	—
—	M.T.S.	—	—	CONCRETE	—	—	—	—
150 WM	WATERMAIN	150 WM	—	ASPHALT	—	—	—	—
⊕	HYDRANT	⊕	—	SIDEWALK	—	—	—	—
⊕	VALVE	⊕	—	PROPERTY LINE	—	—	—	—
⊕	MANHOLE	⊕	—	SURVEY BAR	—	—	—	—
⊕	CATCH BASIN	⊕	—	GEODETIC BENCHMARK	—	—	—	—
⊕	CURB INLET	⊕	—	ELEVATION	—	—	—	—
⊕	POLES	⊕	—		—	—	—	—
⊕		⊕	—		—	—	—	—

NO.	REVISIONS	DATE	BY
0	ISSUED FOR TENDER	13/12/09	RBO

DESIGNED BY	CHECKED BY
EMS	RBO
DRAWN BY	APPROVED BY
DMW	
HOR. SCALE:	RELEASED FOR CONSTRUCTION:
1:250	
VERTICAL:	
1:50	
DATE	DATE
13/11/04	

ENGINEER'S SEAL  
CONSULTANT DRAWING NO.  
12-0107-013

**THE CITY OF WINNIPEG**  
WATER AND WASTE DEPARTMENT

PROJECT TITLE  
**2014 OUTFALL RENEWAL/  
REHABILITATION PROGRAM**

SHEET OF  
01 OF 01

COMPUTER FILE NAME  
12-0107-013

CITY DRAWING NUMBER  
LD-7271

File Name: P:\Projects\2012\12-0107-013\Doc\Control\Bibbe\DWG\12-0107-013-LD-7271-Rev 0.dwg - Tab: LD-7271 Plotted By: DWeber 13/12/09 [Thu 1:46pm]  
 A1/PLOT SCALE: